

GUIDE VALVE LIMITED

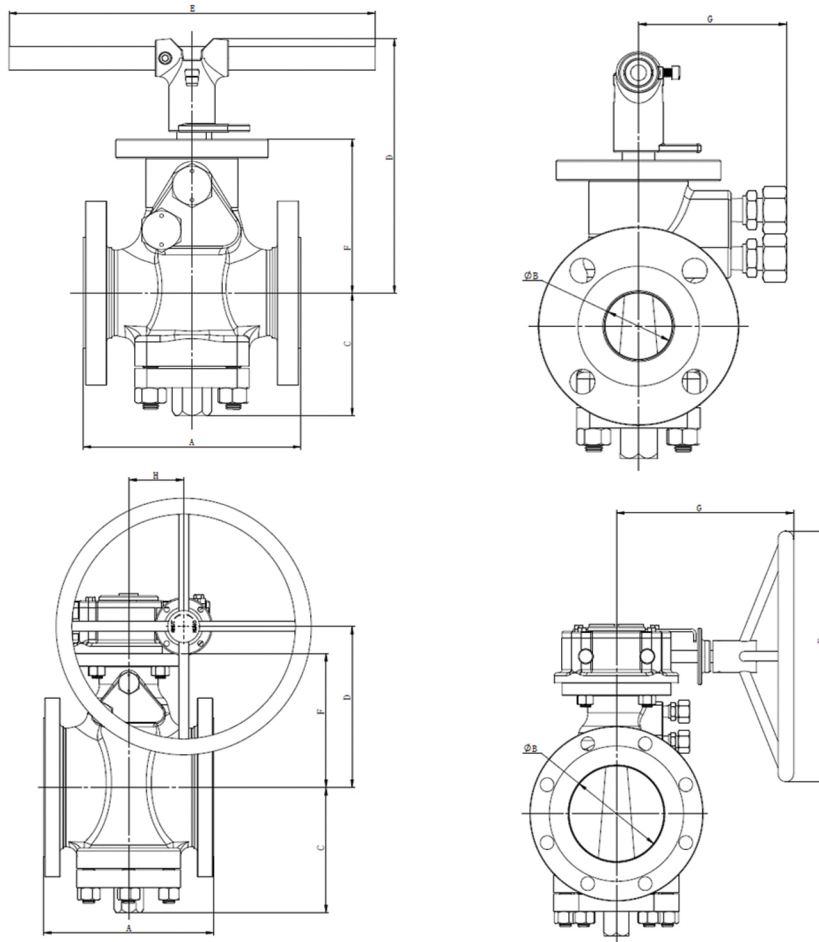
GVS® Pressure Balanced
Lubricated Plug Valves



www.gvs-vci.com



SHORT PATTERN ANSI CLASS 150-300#



ANSI 150

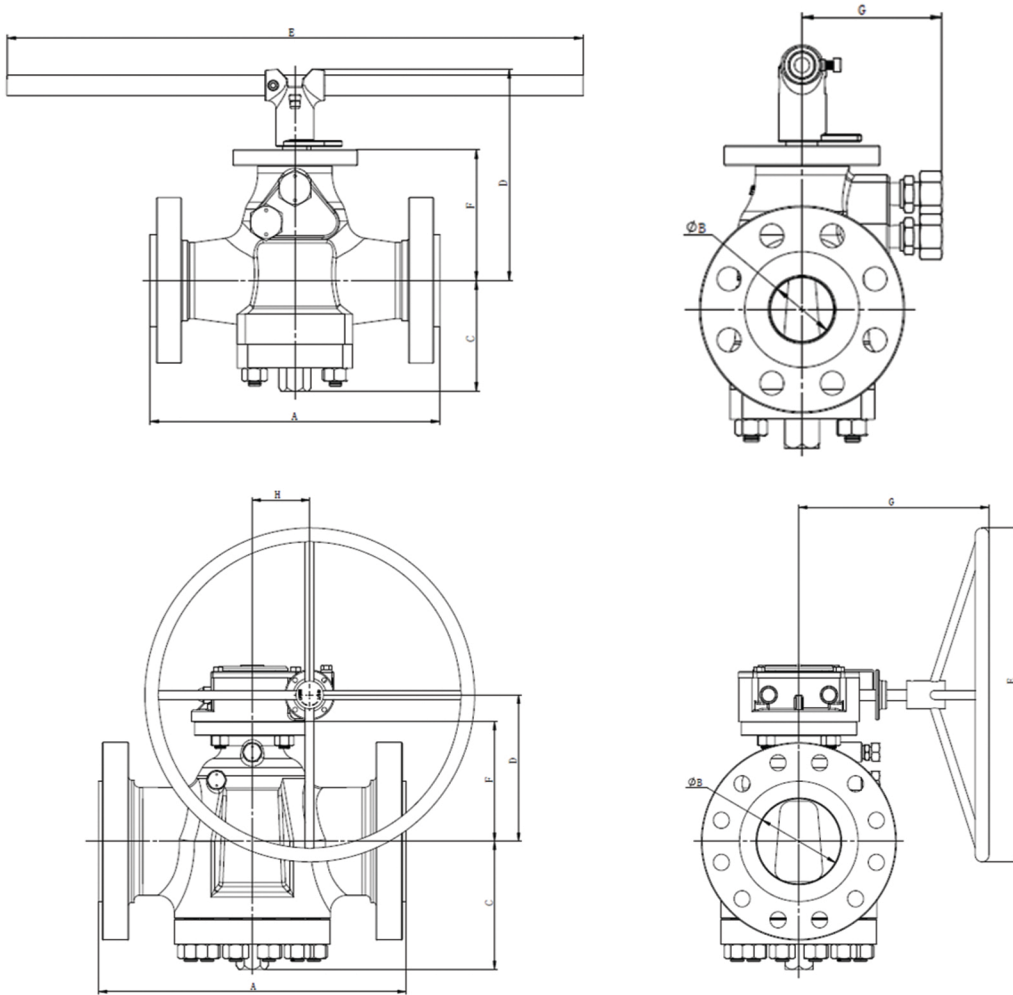
VALVE SIZE	MIN BORE SIZE		END TO END AND FACE TO FACE			BODY						WEIGHT	
			RF	RTJ	BW	C	D	E	F	G	H	RF	BW
NPS	B	PORT	A			C	D	E	F	G	H	RF	BW
inch	mm	%	mm	mm	mm	mm	mm	mm	mm	mm	mm	kg	kg
2"	51	80%	178	191	267	101.5	204	300	127.5	112.5	/	17	15.5
3"	76.2	70%	203	216	330	122	222	400	144	112.5	/	27	23
4"	102	80%	229	241	356	161	222	600	176	297	71	57	50
6"	152.4	45%	267	279	457	195	250	400	209	297	71	67	54
8"	203.2	40%	292	305	521	234	290	600	248	305	86	108	80
10"	254	40%	330	343	559	285	357	600	315	305	86	210	185
12"	305	40%	356	368	635	350	435	600	380	417	130	330	295

ANSI 300

VALVE SIZE	MIN BORE SIZE		END TO END AND FACE TO FACE			BODY						WEIGHT	
			RF	RTJ	BW	C	D	E	F	G	H	RF	BW
NPS	B	PORT	A			C	D	E	F	G	H	RF	BW
inch	mm	%	mm	mm	mm	mm	mm	mm	mm	mm	mm	kg	kg
2"	51	80%	216	232	267	101.5	204	400	127.5	112.5	/	20	17
3"	76.2	70%	283	298	330	122	222	550	144	112.5	/	38	32
4"	102	80%	305	321	356	161	222	600	176	297	71	75	62
6"	152.4	45%	403	419	457	195	250	400	209	297	71	118	98
8"	203.2	40%	419	435	521	234	290	600	248	305	86	180	148
10"	254	40%	457	473	559	285	357	600	315	305	86	270	220
12"	305	40%	502	518	635	350	435	600	380	417	130	390	320



REGULAR PATTERN ANSI CLASS 600-900#



ANSI 600

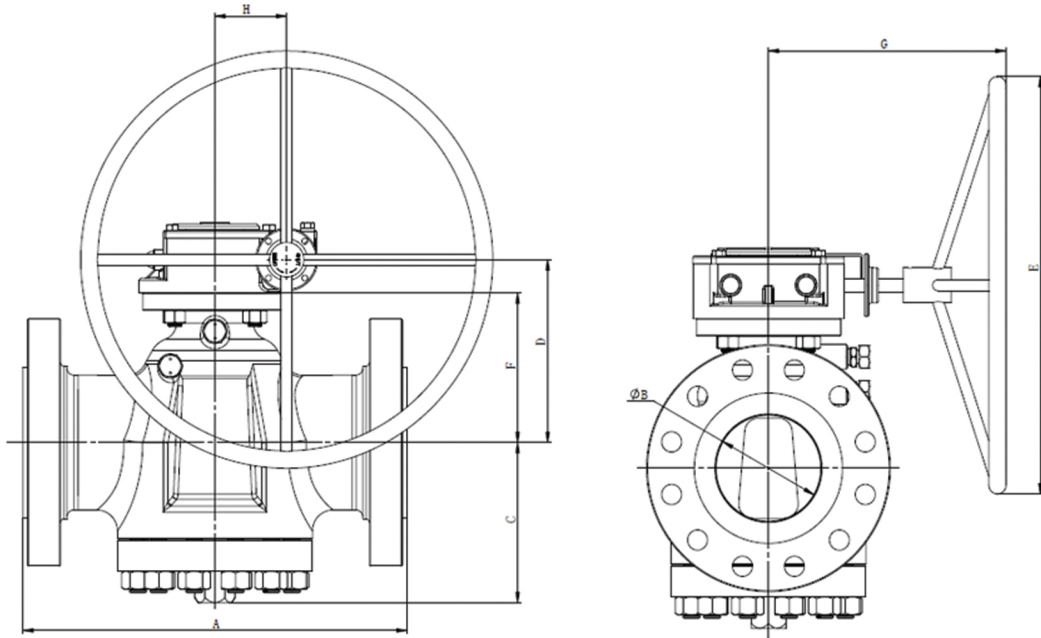
VALVE SIZE	MIN BORE SIZE		END TO END AND FACE TO FACE			BODY						WEIGHT	
			RF	RTJ	BW	C	D	E	F	G	H	RF	BW
NPS	B	PORT	A			C	D	E	F	G	H	RF	BW
inch	mm	%	mm	mm	mm	mm	mm	mm	mm	mm	mm	kg	kg
2"	51	80%	292	295	292	124.5	207	580	130.5	107.5	/	28	22
3"	76.2	80%	356	359	356	143	289	700	158	122.5	/	54	45
4"	102	80%	432	435	432	180	229	400	188	297	71	110	84
6"	152.4	60%	559	562	559	230	263	600	215	346	104.5	220	170
8"	203.2	60%	660	664	660	275	303	600	248	417	130	376	306
10"	254	60%	787	791	787	319	370	600	308	430	140	620	505
12"	305	60%	838	841	838	360	430	600	345	354	182	830	660
16"	387.4	60%	991	994	991	400	469	700	383	560	210	1260	1030
20"	489	60%	1194	1200	1194	520	584	700	485	596	246	2400	2000
24"	591	60%	1397	1407	1397	630	659	800	560	668	279	3840	3240
30"	737	60%	1651	1664	1651	750	790	800	670	748	38	7320	6420

ANSI 900

VALVE SIZE	MIN BORE SIZE		END TO END AND FACE TO FACE			BODY						WEIGHT	
			RF	RTJ	BW	C	D	E	F	G	H	RF	BW
NPS	B	PORT	A			C	D	E	F	G	H	RF	BW
inch	mm	%	mm	mm	mm	mm	mm	mm	mm	mm	mm	kg	kg
2"	51	80%	368	371	368	129.5	207	700	130.5	107.5	/	48	34
3"	76.2	80%	381	384	381	143	199	400	158	297	71	91	76
4"	102	80%	457	460	457	190	229	400	188	297	71	187	167
6"	152.4	60%	610	613	610	240	280	600	225	417	130	275	200
8"	203.2	60%	737	740	737	290	322	600	260	354	182	470	384
10"	254	60%	838	841	838	334	398	600	313	354	182	780	660
12"	305	60%	965	968	965	380	435	700	350	531	209	1050	740



VENTURI PATTERN ANSI CLASS 150-600#



ANSI 150

VALVE SIZE	MIN BORE SIZE		END TO END AND FACE TO FACE			BODY						WEIGHT	
			RF	RTJ	BW	C	D	E	F	G	H	RF	BW
NPS	B	PORT	A			C	D	E	F	G	H	RF	BW
inch	mm	%	mm	mm	mm	mm	mm	mm	mm	mm	mm	kg	kg
16"	387.4	40%	762	775	762	360	477	600	415	430	140	720	630
20"	489	40%	914	927	914	470	456	700	370	560	210	1100	960
24"	591	40%	1067	1080	1067	560	619	700	520	596	246	1800	1650
30"	737	40%	1295	1308	1295	690	759	800	660	668	279	3200	2820

ANSI 300

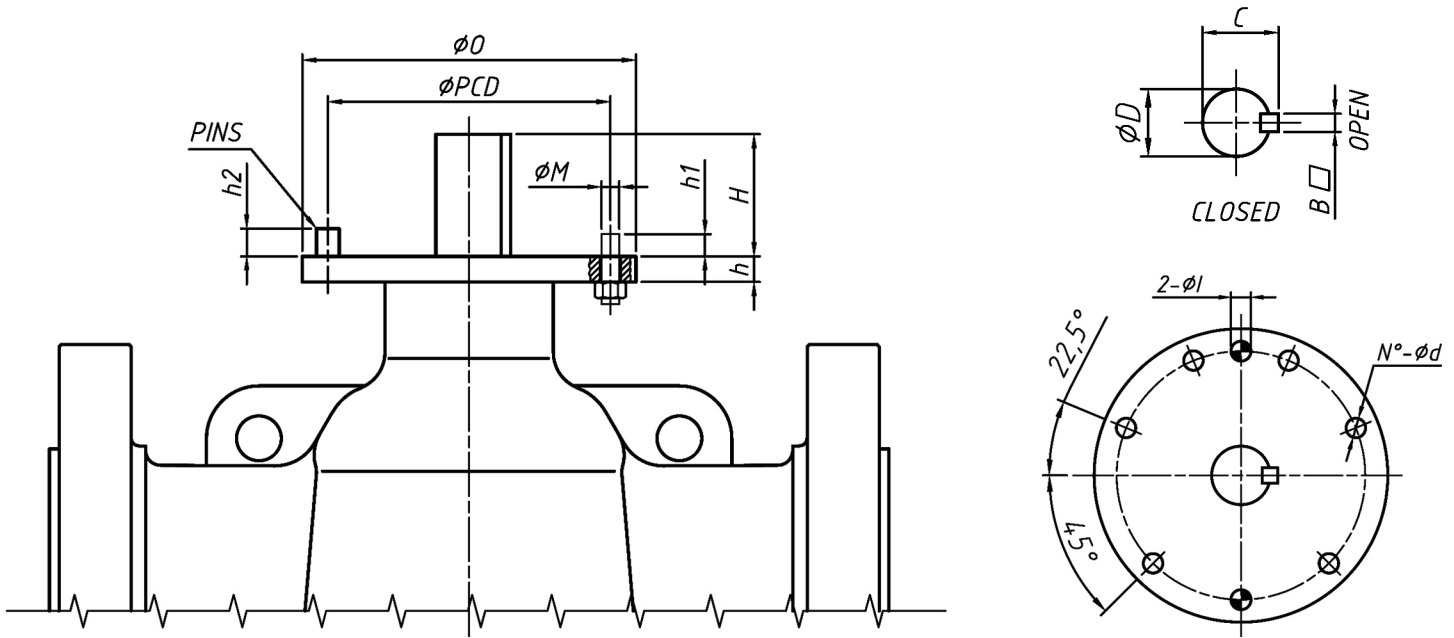
VALVE SIZE	MIN BORE SIZE		END TO END AND FACE TO FACE			BODY						WEIGHT	
			RF	RTJ	BW	C	D	E	F	G	H	RF	BW
NPS	B	PORT	A			C	D	E	F	G	H	RF	BW
inch	mm	%	mm	mm	mm	mm	mm	mm	mm	mm	mm	kg	kg
16"	387.4	40%	838	854	838	360	477	600	415	430	140	800	665
20"	489	40%	991	1010	991	470	456	700	370	560	210	1300	1150
24"	591	40%	1143	1165	1143	560	619	700	520	596	246	2100	1900
30"	737	40%	1397	1422	1397	690	759	800	660	668	279	4200	3400

ANSI 600

VALVE SIZE	MIN BORE SIZE		END TO END AND FACE TO FACE			BODY						WEIGHT	
			RF	RTJ	BW	C	D	E	F	G	H	RF	BW
NPS	B	PORT	A			C	D	E	F	G	H	RF	BW
inch	mm	%	mm	mm	mm	mm	mm	mm	mm	mm	mm	kg	kg
16"	387.4	40%	991	994	991	400	469	700	383	560	210	1050	820
20"	489	40%	1194	1200	1194	520	584	700	485	596	246	2000	1600
24"	591	40%	1397	1407	1397	630	659	800	560	668	279	3200	2600
30"	737	40%	1651	1664	1651	750	790	800	670	748	38	6100	5200



TopWorks Dimensional Data



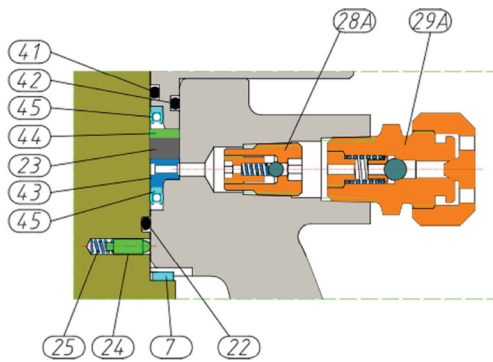
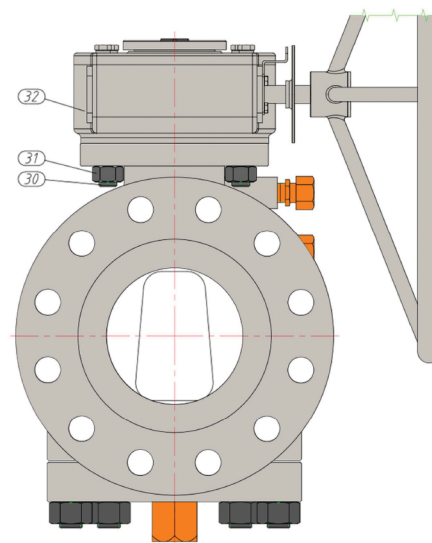
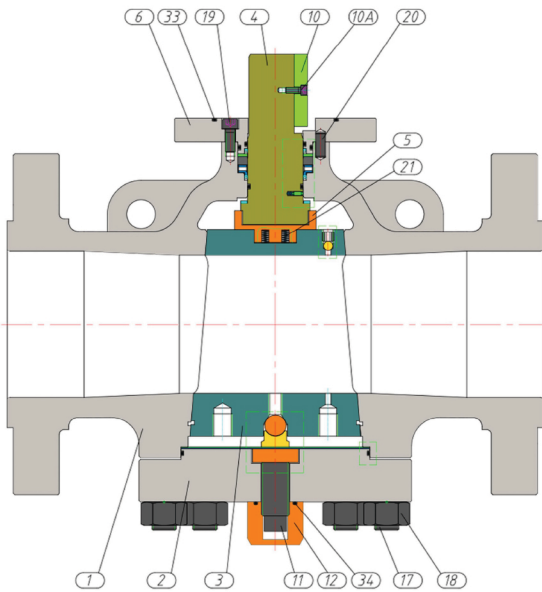
Size	Class	Type	Port	B	C	ϕD	H	h	h1	h2	ϕl	ϕd	M	N	ϕPCD	ϕO	ISO Flange	Torque (N.M)	MAST(NM) (A/SI 4140)
2"	150	Short	80%	8	28.5	25	33	16	12	10	10	12	M10	4	102	125	F10	30	557
2"	300	Short	80%	8	28.5	25	33	16	12	10	10	12	M10	4	102	125	F10	68	557
2"	600	Regular	80%	8	28.5	25	33	16	12	10	10	12	M10	4	102	125	F10	141	557
2"	900	Regular	80%	8	28.5	25	33	16	12	10	10	12	M10	4	102	125	F10	212	557
3"	150	Short	70%	8	28.5	25	33	16	12	10	10	12	M10	4	102	125	F10	61	557
3"	300	Short	70%	8	28.5	25	33	16	12	10	10	12	M10	4	102	125	F10	155	557
3"	600	Regular	80%	10	39.3	35	53	18	15	10	10	14	M12	4	125	150	F12	328	1054
3"	900	Regular	80%	10	44.3	40	53	20	20	10	14	18	M16	4	140	175	F14	493	2322
4"	150	Short	80%	10	39.3	35	53	18	15	10	10	14	M12	4	125	150	F12	123	1054
4"	300	Short	80%	10	39.3	35	53	18	15	10	10	14	M12	4	125	150	F12	312	1054
4"	600	Regular	80%	10	44.3	40	53	20	20	10	14	18	M16	4	140	175	F14	720	2322
4"	900	Regular	80%	10	44.3	40	53	20	20	10	14	18	M16	4	140	175	F14	988	2322
6"	150	Short	45%	10	44.3	40	53	20	20	10	14	18	M16	4	140	175	F14	217	2322
6"	300	Short	45%	10	44.3	40	53	20	20	10	14	18	M16	4	140	175	F14	552	2322
6"	600	Regular	60%	14	61	55	67	25	25	10	14	22	M20	4	165	210	F16	1703	4674
6"	900	Regular	60%	16	72	65	80	28	20	20	20	18	M16	8	254	300	F25	2553	8938
8"	150	Short	40%	14	61	55	67	25	25	10	14	22	M20	4	165	210	F16	371	4674
8"	300	Short	40%	14	61	55	67	25	25	10	14	22	M20	4	165	210	F16	945	4674
8"	600	Regular	60%	16	72	65	80	28	20	20	20	18	M16	8	254	300	F25	3581	8938
8"	900	Regular	60%	18	83	75	102	33	20	20	20	18	M16	8	254	300	F25	5370	15224
10"	150	Short	40%	14	61	55	67	25	25	10	14	22	M20	4	165	210	F16	492	4674
10"	300	Short	40%	14	61	55	67	25	25	10	14	22	M20	4	165	210	F16	1442	4674
10"	600	Regular	60%	18	83	75	102	33	20	20	20	18	M16	8	254	300	F25	6400	15224
10"	900	Regular	60%	22	100	90	115	35	25	20	22	22	M20	8	298	350	F30	9601	25172
12"	150	Short	40%	16	72	65	80	28	20	20	20	18	M16	8	254	300	F25	854	8938
12"	300	Short	40%	16	72	65	80	28	20	20	20	18	M16	8	254	300	F25	2254	8938
12"	600	Regular	60%	22	100	90	115	35	25	20	22	22	M20	8	298	350	F30	10200	25172
12"	900	Regular	60%	25	111	100	140	40	36	30	30	32	M30	8	356	415	F35	15287	35174
16"	150	Venturi	40%	18	83	75	102	33	20	20	20	18	M16	8	254	300	F25	2451	15224
16"	300	Venturi	40%	18	83	75	102	33	20	20	20	18	M16	8	254	300	F25	6250	15224
16"	600	Venturi	40%	25	111	100	115	35	25	20	22	22	M20	8	298	350	F30	12254	35174
20"	150	Venturi	40%	25	111	100	115	35	25	20	22	22	M20	8	298	350	F30	4463	35174
20"	300	Venturi	40%	25	111	100	115	35	25	20	22	22	M20	8	298	350	F30	11380	35174
20"	600	Venturi	40%	32	134	120	150	40	36	30	30	32	M30	8	356	415	F35	22314	60204
24"	150	Venturi	40%	32	134	120	150	40	36	30	30	32	M30	8	356	415	F35	7267	60204
24"	300	Venturi	40%	32	134	120	150	40	36	30	30	32	M30	8	356	415	F35	18532	60204
24"	600	Venturi	40%	36	166	150	180	45	42	30	35	39	M36	8	406	475	F40	41260	101593
30"	150	Venturi	40%	36	166	150	180	45	42	30	35	39	M36	8	406	475	F40	16413	101593
30"	300	Venturi	40%	36	166	150	180	45	42	30	35	39	M36	8	406	475	F40	41852	101593
30"	600	Venturi	40%	45	210	190	230	50	42	30	40	39	M36	12	483	560	F48	85425	205539



DESIGN FEATURES

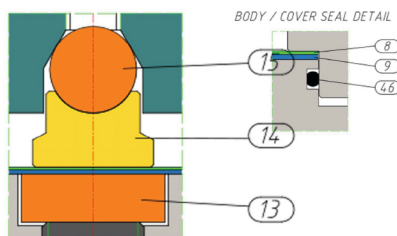
STANDARD:
DESIGN STANDARD: API 6D & API 599
END CONNECTION: ANSI B16.5 RF
PRESSURE TEST: API 6D

Position	Part Description
1	Body
2	Cover
3	Plug
4	Stem
5	Equalizer
6	Top stop flange
7	Thrust washer
8	Upper seal disk
9	Lower seal disk
10	Key
10A	Capscrew
11	Push rod
12	Push rod cap
13	Bottom support
14	Lower support
15	Upper support ball
17	Stud
18	Nut
19	Capscrew
20	Pin
21	Spring
22	O-ring
23	Fire safe seal
24	Antistatic piston
25	Spring
26	Balance screw
27	Balance ball
28	Inner check valve
28A	Inner check valve
29	Grease fitting
29A	Grease fitting
30	Stud
31	Nut
32	Gear box
33	O-ring
34	O-ring
41	O-ring
42	O-ring
43	Packing spacer
44	Gland ring
45	Lipseal
46	O-ring (for class 600 and above)

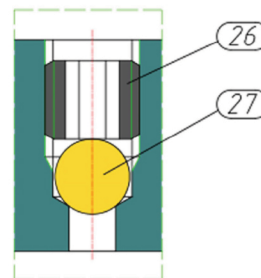


STEM SEAL SUB-ASSEMBLY DETAIL

BODY GREASE FITTING SUB-ASSEMBLY DETAIL



CENTERING ADJUSTMENT DEVICE DETAIL



PRESSURE BALANCE DEVICE DETAIL

FEATURES

- Design according to API 6D, API 599, and CSA Z245,15-17
- NACE MR0175 SOUR - Available
- Firesafe certified to ANSI / API 607, ISO 10497:2010 and API 6FA
- Anti-static devices
- R.T Standard
- Available in RF, RTJ and BW ends
- Pressure balancing device
- Centering adjustment device
- Anti-blow out stem design
- Stem emergency grease fitting
- Available in short, venturi and regular patterns
- Fugitive Emission Certified to API Standard 641



CANADA
ISO 9001 :2015: 0052985-01

CHINA
API 6D: 6D-1822
API 6A: 6A-2250
API Spec Q1: Q1-3641
ISO 9001 :2015: ISO-3983



Intertek
Total Quality Assured

CERTIFICATE OF REGISTRATION

This is to certify that the management system of:
Guide Valve Limited
Main Site: 51 Terecar Drive, Woodbridge, Ontario, L4L 0B5, Canada
has been registered by Intertek as conforming to the requirements of:
ISO 9001:2015
The management system is applicable to:
The design and manufacturing of valves.

Certificate Number: 0052985-01

Calin Moldov
President, Business

AN ACCR
MANAGED CERTIFICATION

American Petroleum Institute

Certificate of Authority to use the Official API Monogram

License Number: 6D-1822 ORIGINAL

The American Petroleum Institute hereby grants to
GUIDE VALVE WUXI LIMITED
Building M, No. 30 Wanquan Road
Xishan District
Wuxi, Jiangsu
People's Republic of China

the right to use the Official API Monogram® on manufactured products under the conditions in the official publications of the American Petroleum Institute entitled API Spec Q1® and API-6D and in accordance with the provisions of the License Agreement.

In all cases where the Official API Monogram is applied, the API Monogram shall be used in conjunction with this certificate number: **6D-1822**

The American Petroleum Institute reserves the right to revoke this authorization to use the Official API Monogram for any reason satisfactory to the Board of Directors of the American Petroleum Institute.

The scope of this license includes the following: Ball Valves, Plug Valves

Anchal Liddar
Global Industry Services



API Standard 641, First Edition, 2016
Test Report
"Type Testing of Quarter-turn Valves for Fugitive Emissions"
Performed for
Guide Valve Limited
www.gvs-vci.com

Fire Test Report
ANSI/API Standard 607, 6th Edition, 2010
ISO 10497: 2010
API 6FA, Third Edition, April 1999
Performed for
Guide Valve Limited
www.gvs-vci.com

Class 600 Pressure Balanced Plug Valve
Valve Code: 08-P1R-600-RF-G-02
Project Number: 08-P1R-600-RF-G-02



51 Terecar Dr., Unit 1
Woodbridge, ON CANADA L4L 0B5
Tel: 905-761-7877
Fax: 905-761-7917
www.gvs-vci.com



16295 North Frwy Service Rd.
Building #17
Houston, Texas, 77090.
USA.
Toll Free: 1-888-824-5693

sales@gvs-vci.com

Distributor / Agent: